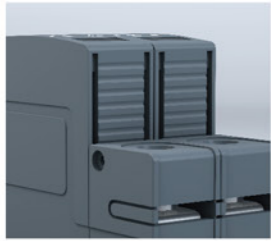
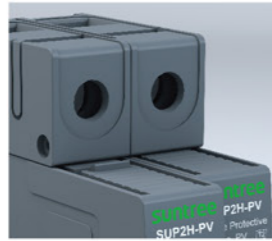




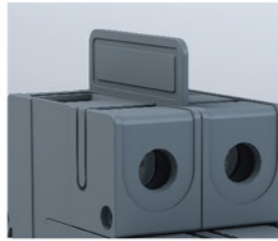
### Product advantages



**HEAT DISSIPATION HOLE**  
Quickly dissipate heat, reduce the service temperature.



**PLUG-IN CLIPS**  
Easy module replacement

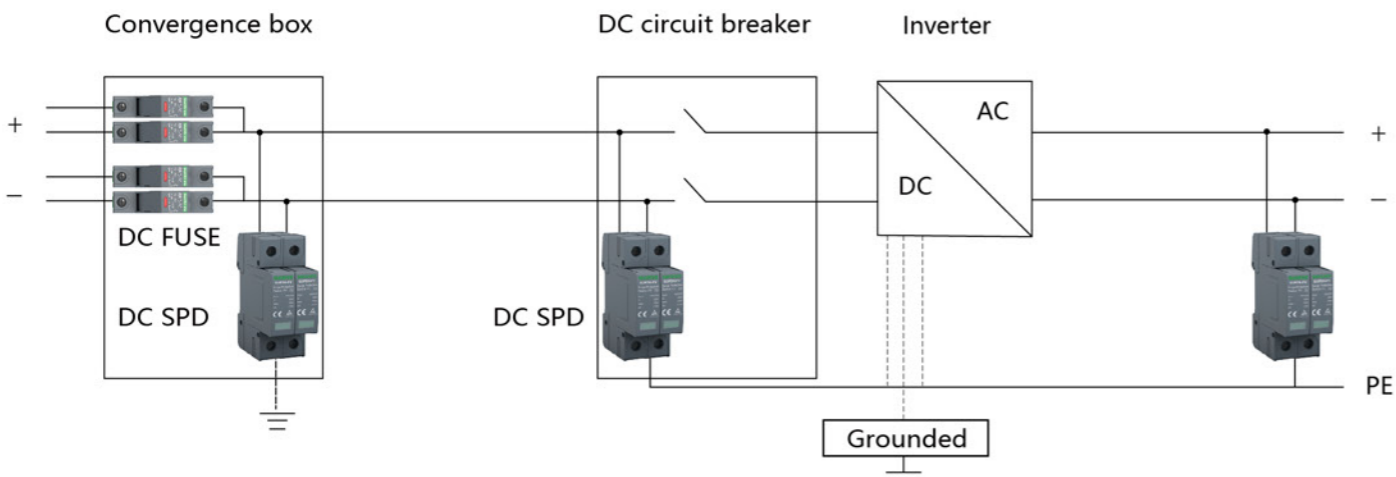


**FLASH BARRIER**  
Prevent arc propagation in current impact



**High reliability**  
Single chip voltage up to 750V

### Wiring reference



### Electrical technical reference

Product Model	SUP2H-PV			SUP2H1-PV	
	Max. continuous operating voltage (Uc)	500VDC	600VDC	800VDC	1000VDC
Max. discharge current (Imax)(8/20u s)	20, 40KA				
Protection level (In)Up	2.8kV	2.8kV	3.0kV	3.6kV	4.0kV
Service temperature	-40°C~+70°C				
Relative humidity	≤95%(25°C)				
Installation mode	35mm standard guide rail				
Window indication	Normal: green; Failure: Red				
Ingress protection	IP20				
Numbers of poles	1P、2P、3P				
Leakage 0.75u ImA(uA)	≤20				

### Installation precautions

- The normal range of ambient air temperature should be no higher than +40°C and no lower than -25°C, with a relative humidity of no more than 95%; The altitude of the installation site shall not exceed 2000m;
- Pollution class 3;
- Where there is no risk of explosion and the medium is free of gases and conductive dusts sufficient to corrode metals and destroy insulation. Wiring resistance
- Grounded copper bus-bar